

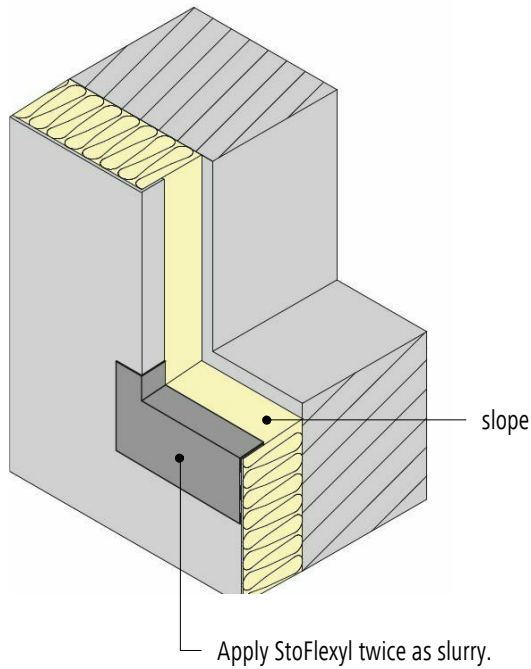
External wall insulation system

Reveal/lintel (views): Connection to a larger window that is flush with the facade or set forward, laying of the joint sealing tape

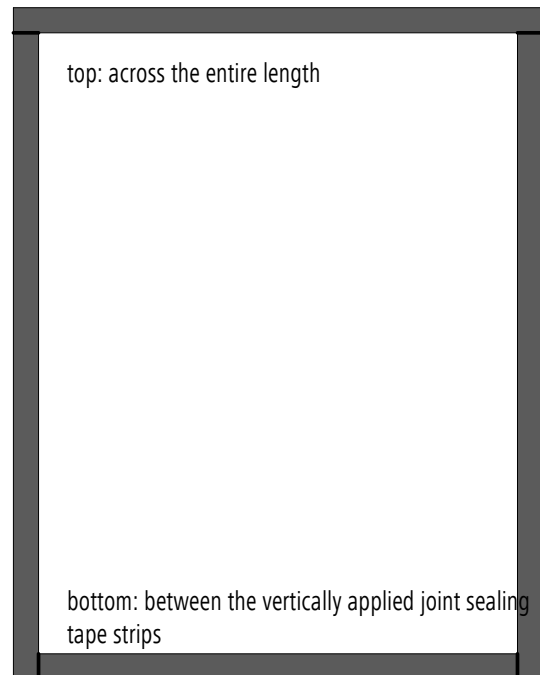
Rev. no. 2018-05-01
Sto-HQ-EN

GEN-0416

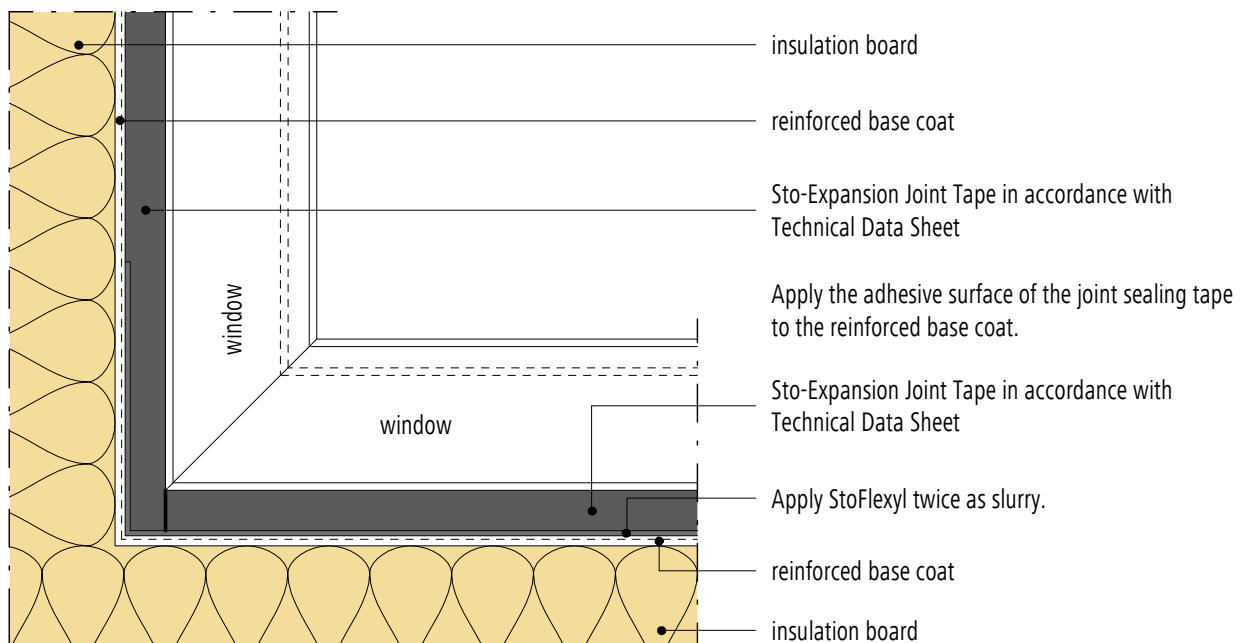
sketch



Apply expansion joint tape in the corners.



section 1 (see GEN-0415)



Note: This drawing is a general, non-binding planning suggestion which depicts the execution only schematically, but is no substitute for the required working and detail drawing as well as the installation plans. The applicator/planner/customer is independently responsible for determining the suitability, completeness and dimensions of the product for the particular construction project. Neighbouring works are described only schematically. All specifications and assumptions must be adjusted or agreed in the light of local conditions. Compliance with the technical specifications contained in the Technical Data Sheets, application guidelines, and system approvals is mandatory.