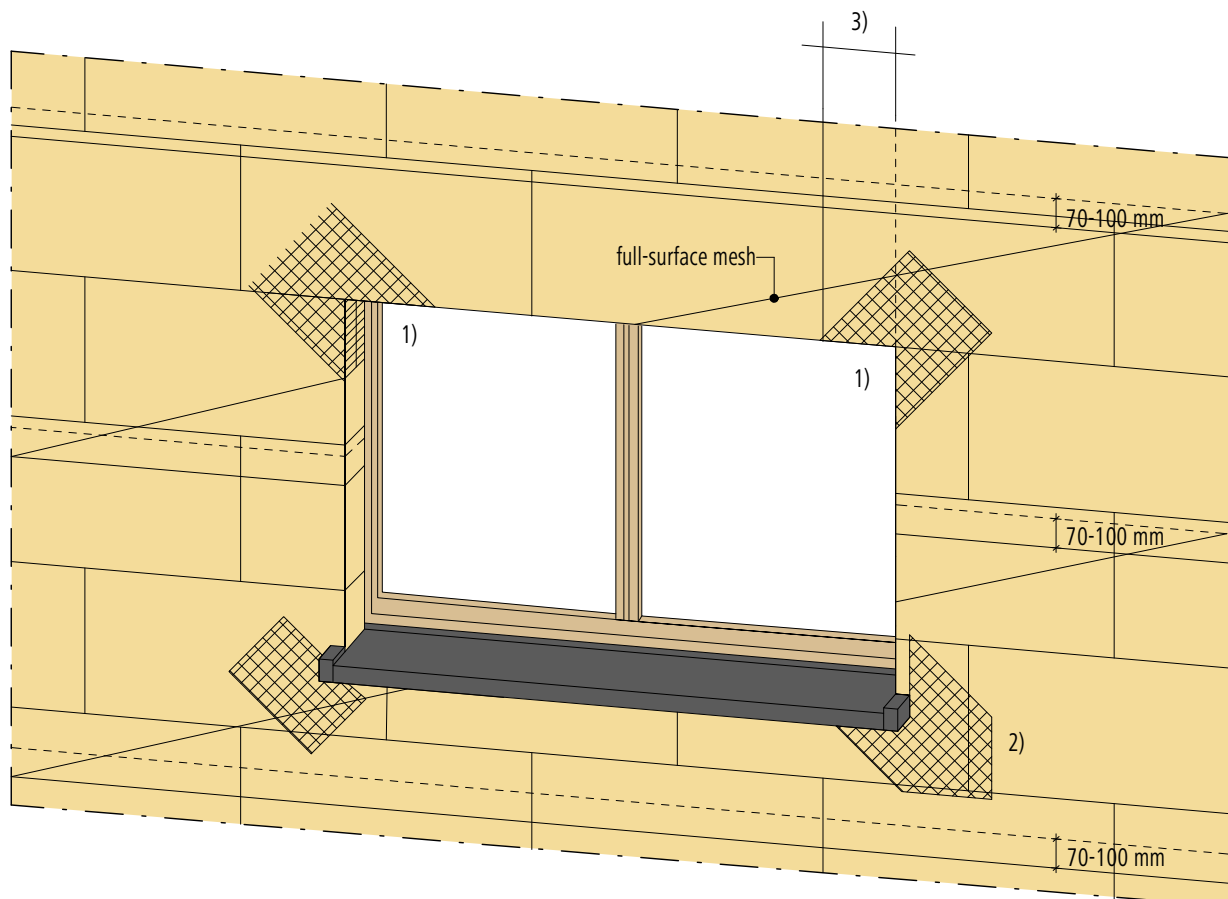


External wall insulation system

Reveal/lintel (views): Arrangement of insulation boards and diagonal reinforcement

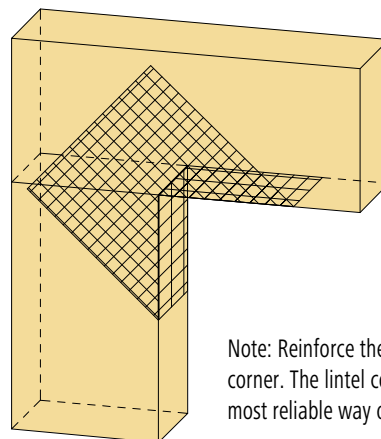
Rev. no. 2020-08-01
Sto-HQ-EN

GEN-0400



- 1) Sto-Lintel Corner Mesh Angle
- 2) Diagonal reinforcement: Sto-Reinforcing Patch or strip of mesh min. 20 x 40 cm
- 3) Install the insulation board in a bond with an offset of ≥ 10 cm.

Caution: In case of thick-layer systems, insert the diagonal reinforcement into the upper third of the render layer!



Note: Reinforce the internal corner like an external corner. The lintel corner mesh angle is the safest and most reliable way of application.